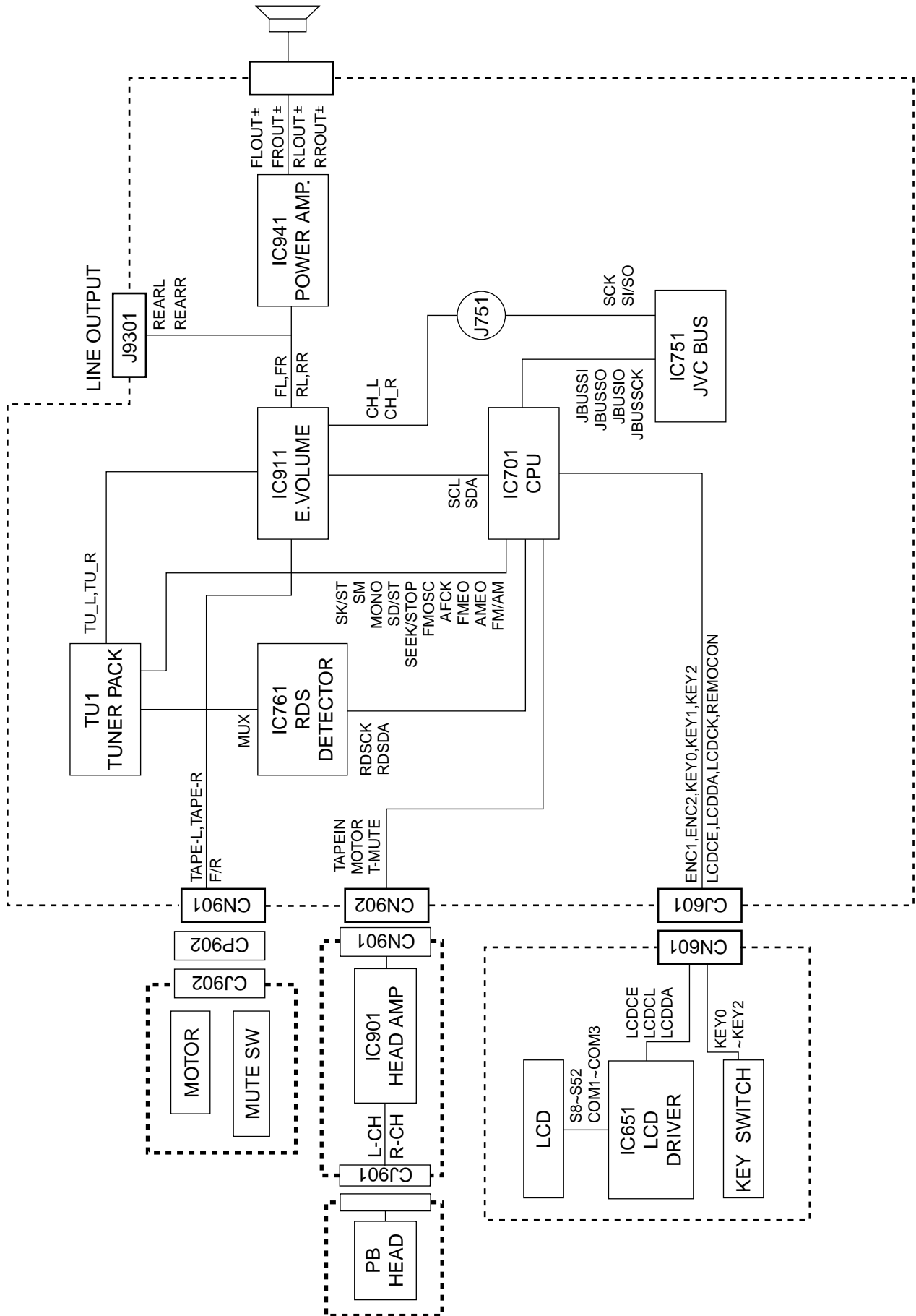


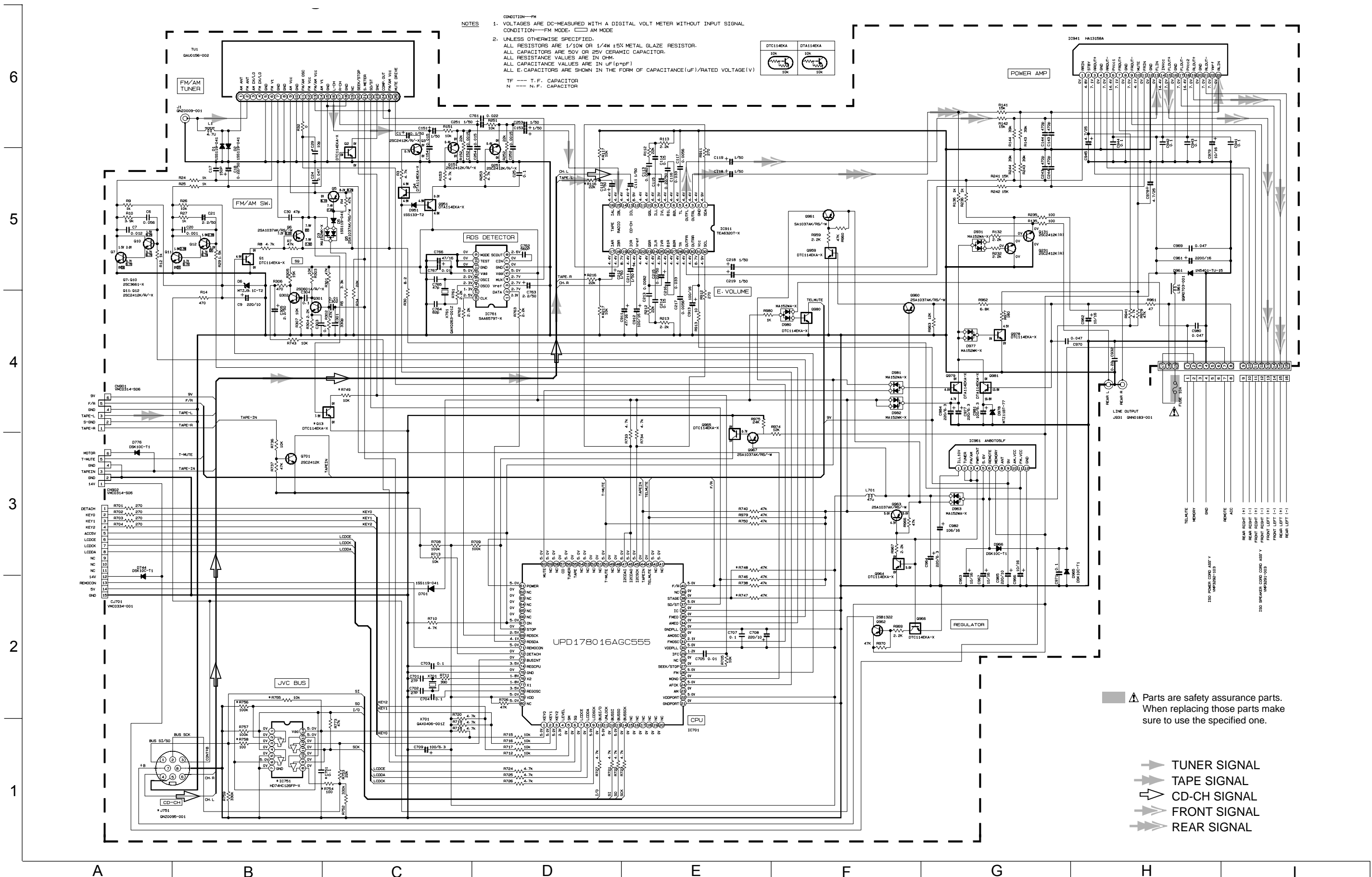
Block diagram



< M E M O >

Standard schematic diagrams

Main amp section



CONDITION—FM
 1. VOLTAGES ARE DC-MEASURED WITH A DIGITAL VOLT METER WITHOUT INPUT SIGNAL
 CONDITION—FM MODE. □ AM MODE
 2. UNLESS OTHERWISE SPECIFIED,
 ALL RESISTORS ARE 1/10W OR 1/4W 1% METAL GLAZE RESISTOR.
 ALL CAPACITORS ARE 50V OR 25V CERAMIC CAPACITOR.
 ALL RESISTANCE VALUES ARE IN OHM.
 ALL CAPACITANCE VALUES ARE IN UF(D*PF)
 ALL E. CAPACITORS ARE SHOWN IN THE FORM OF CAPACITANCE(UF)/RATED VOLTAGE (V)
 TF — T.F. CAPACITOR
 Z — N.F. CAPACITOR

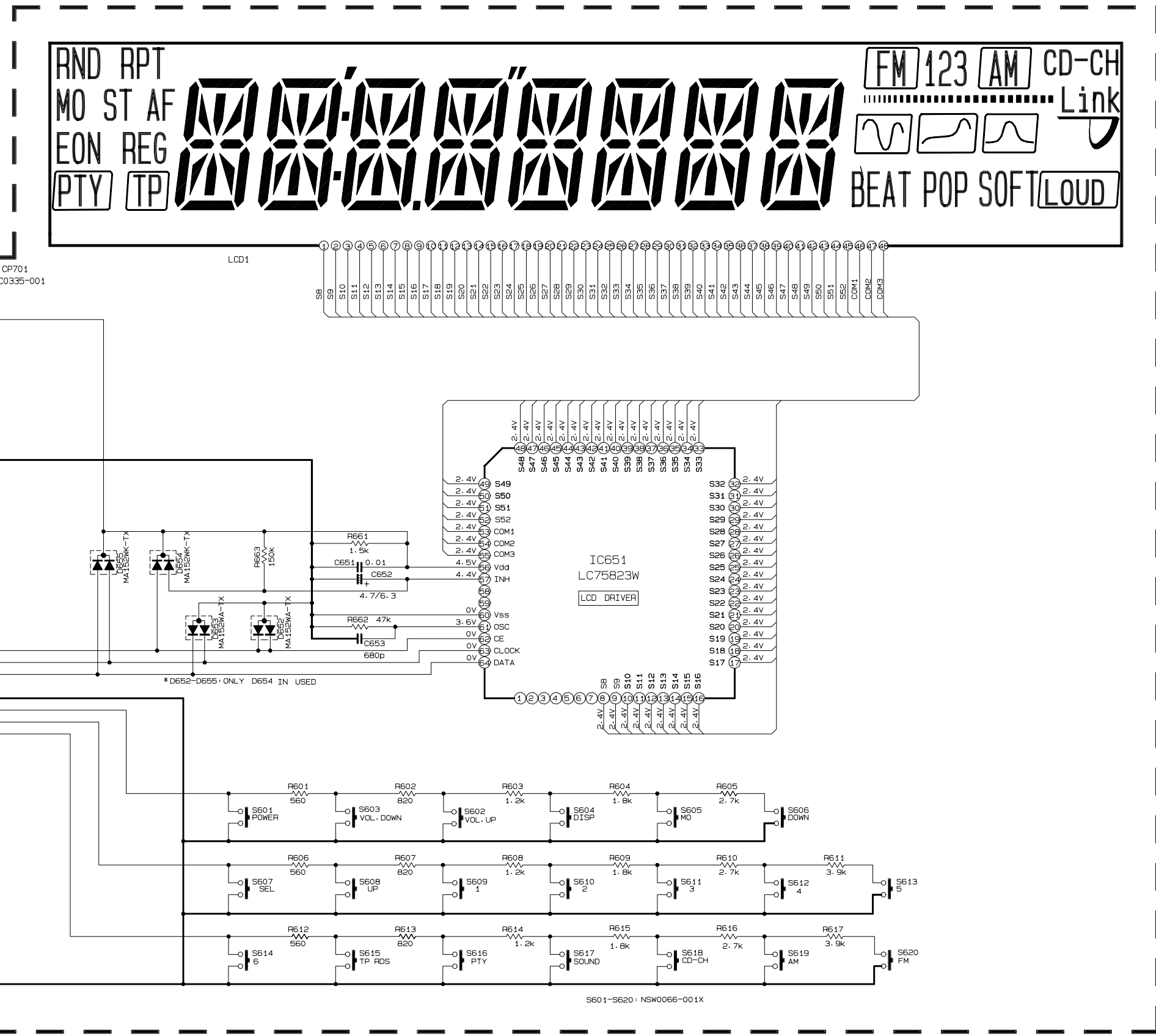
▲ Parts are safety assurance parts.
 When replacing those parts make
 sure to use the specified one.

- ➔ TUNER SIGNAL
- ➔ TAPE SIGNAL
- ➔ CD-CH SIGNAL
- ➔ FRONT SIGNAL
- ➔ REAR SIGNAL

■ LCD & Key control section

NOTES

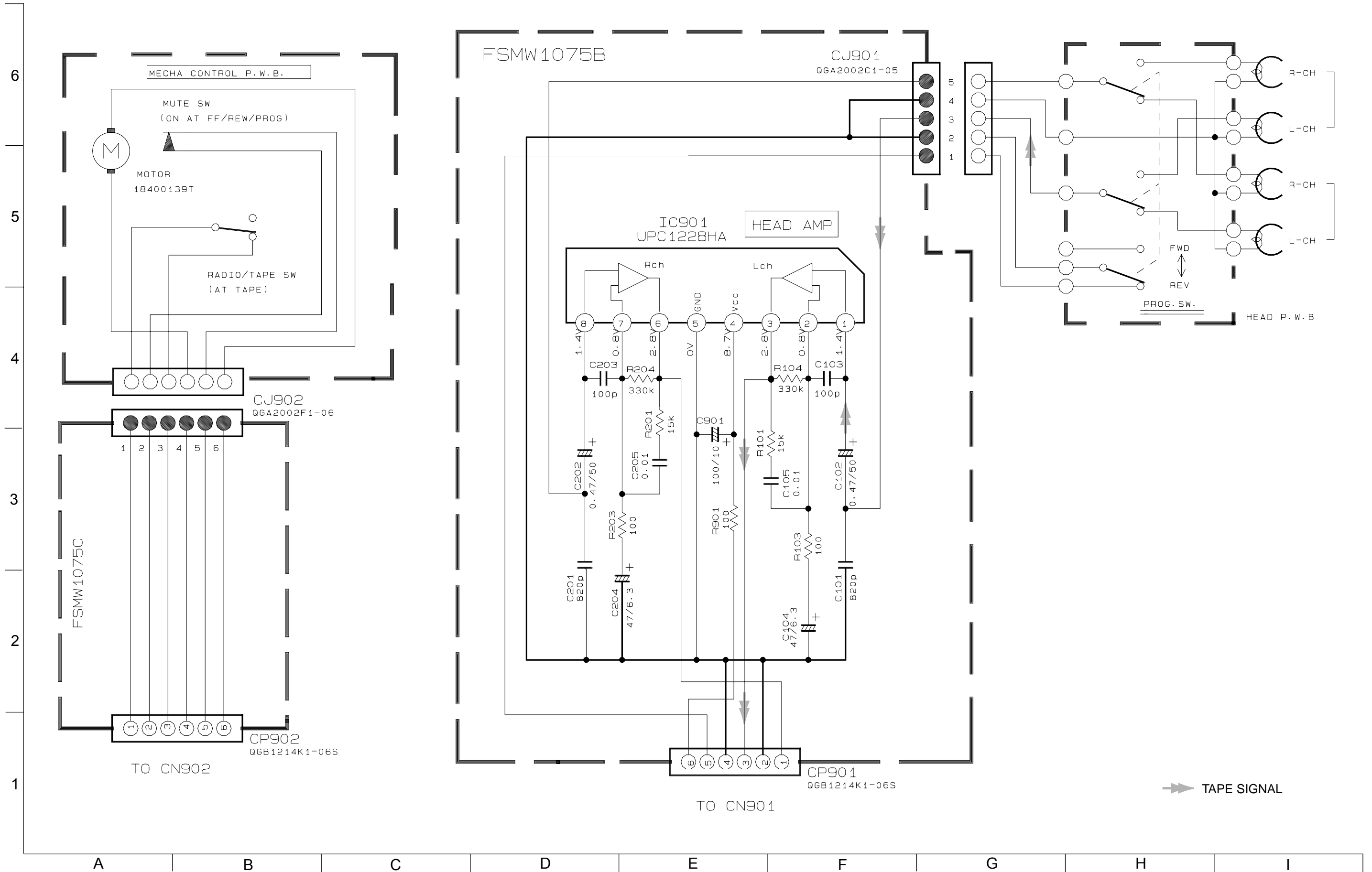
1. VOLTAGES ARE DC-MEASURED WITH A DIGITAL VOLT METER WITHOUT INPUT SIGNAL. CONDITION - - - FM MODE
2. UNLESS OTHERWISE SPECIFIED, ALL RESISTORS ARE 1/4W 5% CARBON RESISTOR OR 1/4W 1/10W 5% METAL GLAZE RESISTOR. ALL CAPACITORS ARE 50V CERAMIC CAPACITOR. ALL RESISTANCE VALUES ARE IN OHM(Ω). ALL CAPACITANCE VALUES ARE IN μF(P=pF). ALL E. CAPACITORS ARE SHOWN IN THE FORM OF CAPACITANCE(μF) / RATED VOLTAGE(V).



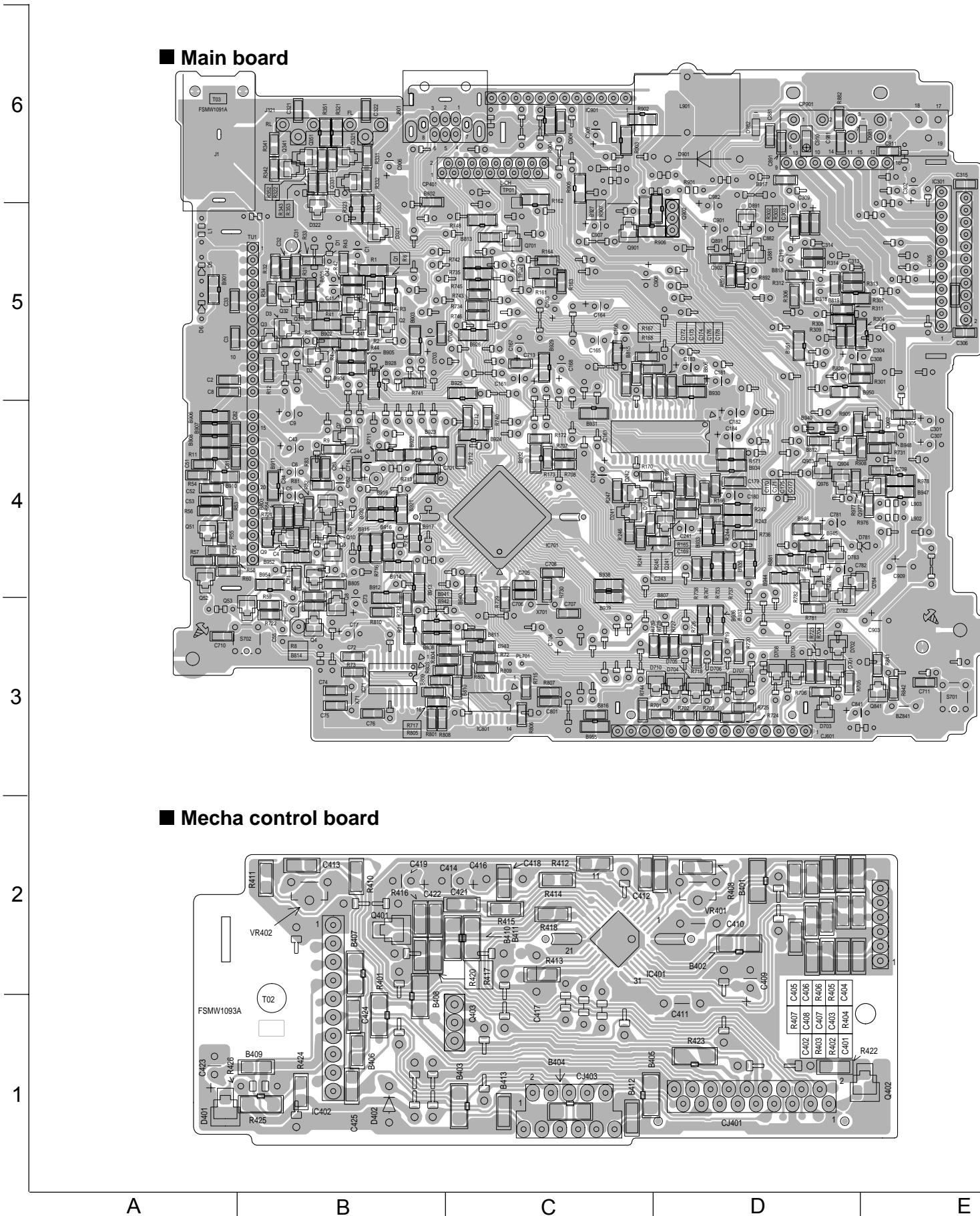
6
5
4
3
2
1

A B C D E F G H I

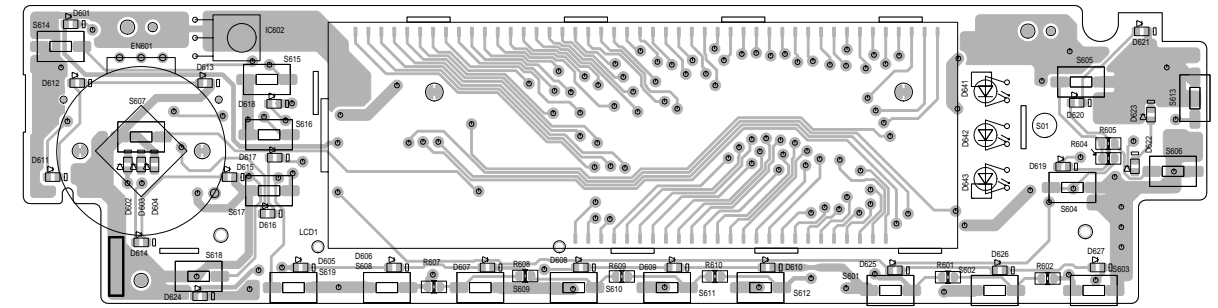
■ Mecha control & Head amp section



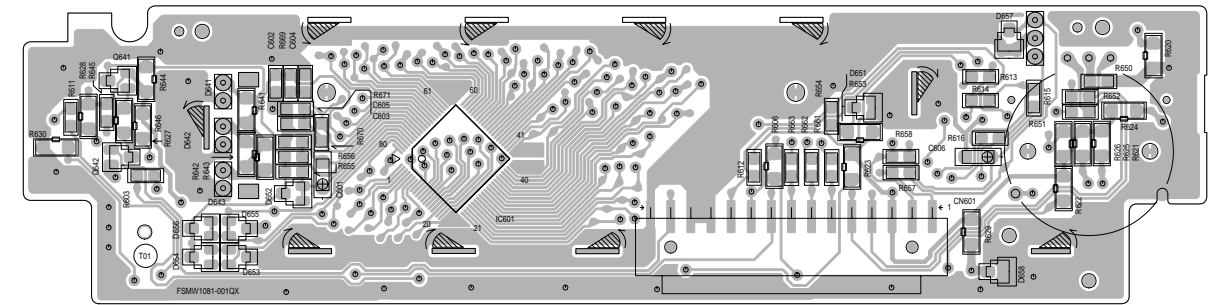
Printed circuit boards



■ Front board (Foerward side)



■ Front board (Reverse side)



■ Reel board

